

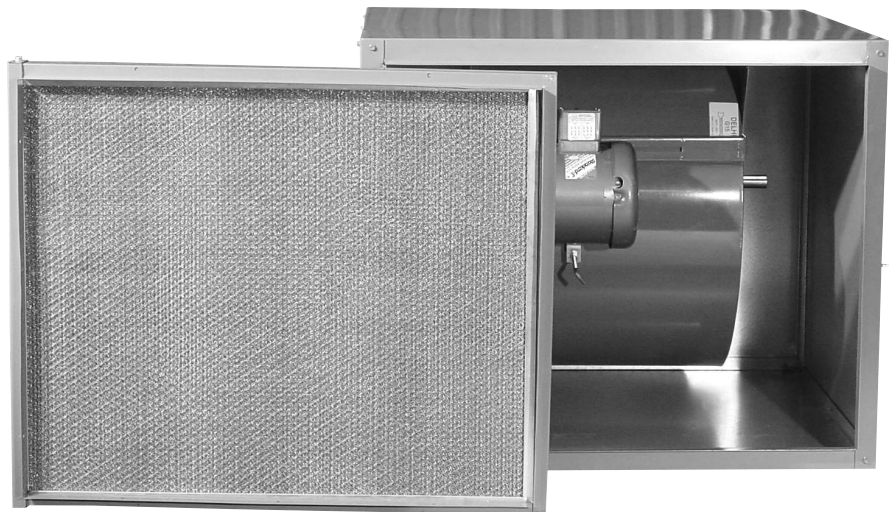
MODEL RDB

Romlair Model RDB Forward Curved Inline Duct Blower – An all purpose indoor inline duct blower used with heating, cooling and ventilating systems. These quiet forward curved blowers offer an economical and efficient solution for many air moving applications.

Forward Curved Inline Duct Blowers

CONSTRUCTION FEATURES

- **DWDI Forward Curved Blower** – Operate at low RPM for quiet operation.
- **Cabinet Housing** – Constructed of galvanized steel – mill finish.
- **Motors** – Heavy duty totally enclosed fan cooled, open drip proof, or explosion proof ball bearing motors for years of trouble free operation.
- **Variable Pitch Drives to 7-1/2hp** – Adjustable for final system RPM. Belts sized for 165% of driven Hp.
- **Access Panels** – On both sides allow easy servicing to blower, motor, and drives.
- **Heavy Duty Ball Bearing** – With an operating temperature range of -65 to + 250 F.
- **Pre-Punch Mounting Holes** – (4) 9/16" mounting holes are provided in the top of the cabinet for suspension mounting.
- **Rubber Mounts** – Entire fan and motor assembly is mounted on rubber mounts for quiet operation.
- **UL Listing** – UL705 listing is available on TEFC models up to 10 Hp.



- **Hook Bolt Motor Mounting** – Allows the Duct Blower to be used in up-flow, down-flow and horizontal discharge positions. This is on the 7" – 12" sizes both single and twin units.
- **Heavy Duty Motor Mounting Brackets** – On sizes 15, 15-2, and 18 and is suitable for horizontal discharge only.
- **Twin Duct Blowers** – are joined together with angle iron supports. For balanced air supply, twin units utilize a common shaft.

FOR INDOOR USE ONLY

MODEL RDB DUCT BLOWER PERFORMANCE DATA

MODEL	CFM	OUT. VEL FPM	CUBIC FEET PER MINUTE AND HORSEPOWER AT STATIC PRESSURE																	
			1/4" SP			1/2" SP			3/4" SP			1" SP			1-1/2" SP			2" SP		
			RPM	BHP	SONE	RPM	BHP	SONE	RPM	BHP	SONE	RPM	BHP	SONE	RPM	BHP	SONE	RPM	BHP	SONE
RDB - 7 MAX. HP - 3/4 WHEEL DIA 7.75" TIP SPEED 2.03 x RPM SHAFT 3/4"	350	665	725	0.03	3.1	1018	0.06	9	1250	0.10	11.6	1441	0.14	13.7	1749	0.23	22	2001	0.32	31
	450	855	751	0.05	3.7	1019	0.08	9	1245	0.12	11.5	1442	0.17	13.7	1766	0.26	23	2030	0.37	33
	550	1045	793	0.06	4.8	1037	0.10	9.8	1248	0.15	11.5	1436	0.20	13.6	1766	0.31	23	2041	0.42	34
	650	1235	859	0.09	6.5	1066	0.13	10.5	1265	0.18	11.9	1443	0.23	13.7	1760	0.35	22	2039	0.48	34
	750	1425	938	0.12	9.1	1108	0.17	11.2	1290	0.22	12.5	1460	0.27	14.3	1761	0.40	22	2032	0.54	33
	850	1615	1021	0.16	11.4	1165	0.21	12.1	1327	0.27	13.3	1485	0.33	15.3	1775	0.45	23	2032	0.61	33
	950	1805	1106	0.21	12.7	1238	0.26	13.4	1372	0.32	14.1	1520	0.39	16.6	1795	0.53	24	2045	0.67	34
	1050	1995	1193	0.28	13.9	1317	0.33	15	1422	0.39	15.6	1561	0.46	18.2	1822	0.61	26	-	-	-
	1150	2185	1280	0.35	15.2	1400	0.41	16.4	1506	0.47	18.1	1614	0.54	20	1856	0.71	28	-	-	-
	1250	2375	1370	0.44	16.7	1484	0.51	18.8	1585	0.57	21	1681	0.64	23	-	-	-	-	-	-
	1350	2565	1460	0.54	18.7	1570	0.62	22	1666	0.68	25	-	-	-	-	-	-	-	-	-
	1450	2755	1551	0.65	22	1656	0.74	25	-	-	-	-	-	-	-	-	-	-	-	-
RDB - 9 MAX. HP - 3/4 WHEEL DIA 10.13" TIP SPEED 2.65 x RPM SHAFT 3/4"	650	773	561	0.05	2.3	794	0.10	5.4	978	0.16	8.6	1125	0.22	10.8	1362	0.34	14.7	1557	0.48	18.2
	750	892	573	0.07	2.5	786	0.11	5.2	976	0.18	8.5	1129	0.24	10.9	1374	0.39	15.1	1572	0.53	18.7
	850	1011	588	0.08	2.8	788	0.13	5.2	968	0.20	8.2	1128	0.27	10.9	1381	0.42	15.3	1585	0.58	19.1
	950	1130	608	0.10	3.2	796	0.16	5.4	963	0.22	8.1	1121	0.29	10.7	1383	0.46	15.4	1593	0.64	19.4
	1050	1249	633	0.13	3.6	808	0.18	5.7	966	0.25	8.1	1112	0.32	10.5	1381	0.50	15.3	1597	0.69	19.5
	1150	1368	663	0.16	4.2	823	0.22	6.1	974	0.28	8.4	1113	0.36	10.5	1374	0.53	15.1	1597	0.73	19.5
	1250	1487	696	0.19	4.8	840	0.25	6.6	985	0.32	8.8	1118	0.40	10.6	1364	0.57	14.8	-	-	-
	1350	1606	731	0.24	5.5	862	0.30	7.1	1000	0.37	9.2	1127	0.45	10.9	1362	0.62	14.7	-	-	-
	1450	1724	769	0.28	6.2	886	0.35	7.6	1015	0.42	9.6	1138	0.50	11.2	1364	0.68	14.8	-	-	-
	1550	1843	808	0.34	6.9	914	0.40	8.2	1033	0.48	10.1	1153	0.56	11.6	1371	0.75	15	-	-	-
	1650	1962	848	0.40	7.8	945	0.47	9	1054	0.54	10.5	1168	0.63	12	-	-	-	-	-	-
	1750	2081	889	0.47	8.6	978	0.54	9.8	1079	0.62	11	1185	0.71	12.5	-	-	-	-	-	-
RDB - 10 MAX. HP - 1-1/2 WHEEL DIA 11.44" TIP SPEED 2.99 x RPM SHAFT 3/4"	850	820	515	0.07	2.9	710	0.13	5.8	864	0.20	8.9	990	0.27	11.5	1200	0.42	15.6	1374	0.58	19.3
	950	916	525	0.08	3.1	712	0.15	5.8	868	0.22	9	996	0.30	11.8	1207	0.46	15.8	1383	0.63	19.7
	1050	1013	537	0.10	3.4	716	0.17	6	870	0.24	9.1	1112	0.32	10.5	1214	0.50	16.1	1391	0.68	20
	1150	1109	549	0.12	3.8	723	0.19	6.2	871	0.27	9.2	1003	0.36	12.1	1219	0.54	16.3	1397	0.74	20
	1250	1206	564	0.14	4.3	732	0.21	6.6	874	0.29	9.3	1005	0.39	12.1	1224	0.59	16.5	1403	0.79	21
	1350	1302	583	0.16	4.8	743	0.24	7	881	0.32	9.7	1007	0.42	12.2	1227	0.63	16.6	1409	0.85	21
	1450	1399	604	0.19	5.5	755	0.27	7.4	889	0.36	10.1	1010	0.45	12.3	1229	0.67	16.7	1413	0.91	21
	1550	1495	628	0.23	6.2	766	0.30	7.9	899	0.40	10.5	1017	0.49	12.6	1231	0.72	16.8	1417	0.97	21
	1650	1591	653	0.27	7	780	0.34	8.4	910	0.44	11	1025	0.54	12.9	1233	0.77	16.9	1419	1.02	21
	1750	1688	679	0.31	7.8	795	0.38	9.1	922	0.48	11.5	1035	0.59	13.3	1236	0.82	17	1421	1.08	21
	1850	1784	706	0.36	8.7	813	0.43	10	933	0.53	12	1044	0.64	13.7	1242	0.88	17.2	1422	1.15	21
	1950	1881	734	0.41	9.7	832	0.48	10.7	945	0.58	12.5	1056	0.70	14.1	1249	0.94	17.5	1425	1.21	22
RDB - 12 MAX. HP - 1-1/2 WHEEL DIA 12.50" TIP SPEED 3.27 x RPM SHAFT 3/4"	1250	857	474	0.11	3.4	640	0.18	6	782	0.28	9.1	902	0.38	12.5	1098	0.58	16.4	1403	0.79	-
	1650	1132	516	0.18	4.5	661	0.27	6.7	788	0.37	9.4	903	0.48	12.6	1106	0.74	16.8	1274	1	-
	1850	1269	540	0.22	5.2	676	0.32	7.2	799	0.43	9.9	908	0.54	12.8	1105	0.81	16.8	1277	1.11	-
	2050	1406	566	0.28	5.9	696	0.39	7.9	812	0.5	10.5	918	0.62	13.1	1106	0.89	16.8	1276	1.2	-
	2250	1543	595	0.34	6.7	720	0.46	8.8	827	0.58	11	930	0.71	13.6	1111	0.99	17	1276	1.31	-
	2450	1680	626	0.42	7.7	744	0.55	9.7	846	0.68	11.8	943	0.82	14	1121	1.11	17.4	1278	1.42	-
	2650	1817	659	0.51	8.8	768	0.65	10.7	869	0.79	12.7	959	0.93	14.5	1133	1.24	18	-	-	-
	2850	1955	694	0.61	10	794	0.76	11.6	893	0.91	13.6	979	1.06	15.1	1145	1.38	18.4	-	-	-
	3050	2095	730	0.73	11.3	822	0.88	12.6	917	1.05	14.3	1002	1.21	15.8	-	-	-	-	-	-
	3250	2229	767	0.87	12.5	852	1.02	13.6	942	1.19	15.1	1026	1.37	16.5	-	-	-	-	-	-
	3450	2366	806	1.02	13.5	883	1.17	14.6	967	1.36	15.9	-	-	-	-	-	-	-	-	-
	RDB - 15 MAX. HP - 3 WHEEL DIA 15.25" TIP SPEED 3.99 x RPM SHAFT 1"	1850	901	372	0.18	2.7	510	0.31	5	619	0.44	7.4	707	0.59	9.5	852	0.9	12.7	971	1.22
1950		950	374	0.19	2.8	510	0.34	5	621	0.46	7.5	710	0.61	9.7	856	0.94	13	976	1.28	15.6
2150		1047	376	0.21	2.9	512	0.4	5.1	624	0.52	7.7	715	0.68	10.1	862	1.03	13.4	984	1.39	16.1
2300		1120	378	0.23	3	515	0.44	5.3	625	0.58	7.7	718	0.73	10.3	867	1.09	13.7	990	1.48	16.5
2550		1242	387	0.28	3.5	523	0.5	5.8	626	0.69	7.8	721	0.84	10.5	874	1.2	14.2	998	1.62	17
2850		1388	403	0.36	4.1	530	0.57	6.2	631	0.81	8.1	722	1.01	10.6	880	1.35	14.6	1007	1.79	17.6
3100		1510	421	0.43	4.7	532	0.62	6.3	640	0.91	8.7	724	1.15	10.7	883	1.52	14.8	1013	1.95	18.1
3450		1680	450	0.56	5.7	541	0.73	6.8	649	1.03	9.3	734	1.33	11.4	884	1.81	14.8	1019	2.2	18.5
3650		1778	469	0.65	6.4	549	0.82	7.3	651	1.09	9.4	742	1.43	12	885	1.99	14.9	1020	2.41	18.6
3850		1875	488	0.75	7.1	560	0.91	7.9	653	1.16	9.6	748	1.53	12.4	888	2.16	15.1	1021	2.64	18.7
4050		1972	508	0.86	7.9	572	1.02	8.4	657	1.25	9.9	750	1.61	12.5	893	2.32	15.4	1021	2.87	18.7
4250		2070	529	0.98	8.8	585	1.13	9	663	1.36	10.3	752	1.7	12.7	900	2.47	15.9	-	-	-
4450	2167	550	1.12	9.8	600	1.26	9.7	672	1.48	11	754	1.79	12.8	908	2.62	16.5	-	-	-	
RDB - 18 MAX. HP - 5 WHEEL DIA 18.19" TIP SPEED 4.76 x RPM SHAFT 1"- 5 HP	3050	989	321	0.3	4.3	437	0.5	7.5	534	0.73	11.2	615	0.98	13.9	749	1.51	18.8	860	2.08	24
	3250	1054	326	0.33	4.7	438	0.54	7.6	534	0.78	11.2	616	1.04	14	750	1.59	18.9	862	2.18	24
	3650	1184	338	0.42	5.2	442	0.64	7.9	535	0.89	11.2	617	1.43	14.1	753	1.77	19.3	865	2.39	24
	4050	1313	353	0.51	6	448	0.75	8.4	537	1.02	11.4	617	1.31	14.1	754	1.95	19.4	868	2.62	25
	4450	1443	369	0.63	6.8	457	0.89	9.1	541	1.16	11.7	619	1.47	14.3	755	2.14	19.5	870	2.86	25
	4850	1573	387	0.77	7.8	468	1.04	10	546	1.33	12.2	621	1.64	14.4	756	2.35	19.6	871	3.11	25
	5250	1703	407	0.93	8.9	481	1.22	10.9	555	1.52	13	625	1.84	14.8	757	2.58	19.7	872	3.38	25

MODEL RDB-2 TWIN DUCT BLOWER

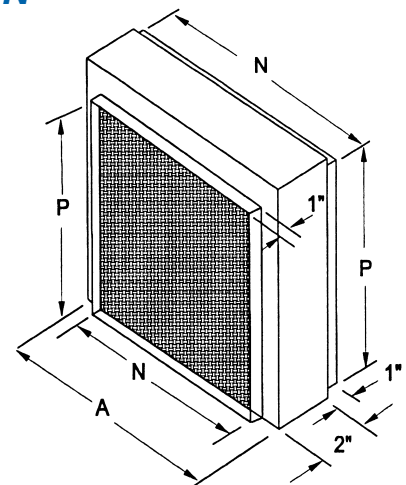
PERFORMANCE DATA

MODEL	CFM	OUT. VEL FPM	CUBIC FEET PER MINUTE AND HORSEPOWER AT STATIC PRESSURE																	
			1/4" SP			1/2" SP			3/4" SP			1" SP			1-1/2" SP			2" SP		
			RPM	BHP	SONE	RPM	BHP	SONE	RPM	BHP	SONE	RPM	BHP	SONE	RPM	BHP	SONE	RPM	BHP	SONE
RDB - 2 MAX. HP - 1-1/2 WHEEL DIA 7.75" TIP SPEED 2.03 x RPM SHAFT 3/4"	850	807	743	0.08	4.5	616	0.15	10.7	1247	0.23	13.8	1443	0.31	16.4	1764	0.50	27	2024	0.70	40
	1050	997	781	0.12	5.6	1031	0.19	11.4	1245	0.27	13.7	1437	0.37	16.3	1767	0.58	27	2040	0.81	41
	1250	1187	841	0.16	7.5	1058	0.25	12.3	1260	0.33	14.1	1440	0.43	16.4	1761	0.66	27	2040	0.92	41
	1450	1377	917	0.22	10.3	1096	0.31	13.1	1283	0.42	14.7	1455	0.51	16.9	1759	0.75	27	2034	1.02	41
	1650	1567	1000	0.30	13	1148	0.39	14.2	1317	0.51	15.6	1478	0.62	18	1771	0.85	28	2031	1.13	41
	1850	1757	1085	0.40	14.9	1219	0.50	15.7	1360	0.61	16.6	1510	0.75	19.5	1790	1.00	29	2041	1.27	42
	2050	1947	1171	0.52	16.3	1297	0.63	17.5	1416	0.74	18	1550	0.89	21	1814	1.17	31	2058	1.45	43
	2250	2137	1258	0.67	17.8	1379	0.78	19.2	1487	0.90	21	1600	1.03	24	1847	1.37	33	-	-	-
	2450	2327	1347	0.83	19.5	1463	0.96	22	1565	1.09	25	1663	1.22	27	-	-	-	-	-	-
	2650	2517	1437	1.02	22	1549	1.17	25	1645	1.31	29	1737	1.44	31	-	-	-	-	-	-
RDB - 9-2 MAX. HP - 1-1/2 WHEEL DIA 10.13" TIP SPEED 2.65 x RPM SHAFT 3/4"	1450	862	569	0.13	3.2	788	0.22	6.4	977	0.34	10.3	1129	0.48	13.1	1371	0.75	17.9	1569	1.03	22
	1650	981	584	0.16	3.5	787	0.26	6.3	970	0.38	10	1129	0.53	13.1	1380	0.83	18.2	1582	1.14	23
	1850	1100	603	0.20	3.9	794	0.30	6.5	963	0.43	9.8	1123	0.57	12.9	1383	0.90	18.3	1592	1.25	23
	2050	1219	627	0.25	4.4	805	0.35	6.9	965	0.48	9.8	1114	0.63	12.6	1382	0.98	18.3	1596	1.35	23
	2250	1338	655	0.30	5	819	0.42	7.3	971	0.55	10.1	1112	0.69	12.6	1376	1.05	18	1597	1.45	23
	2450	1457	687	0.37	5.7	836	0.49	7.8	982	0.62	10.4	1116	0.78	12.7	1367	1.13	17.7	-	-	-
	2650	1576	722	0.45	6.4	856	0.57	8.4	996	0.71	11	1124	0.87	13	1362	1.22	17.5	-	-	-
	2850	1695	759	0.54	7.2	880	0.67	9	1011	0.81	11.4	1135	0.97	13.3	1363	1.33	17.6	-	-	-
	3050	1814	798	0.65	8.1	907	0.78	9.8	1028	0.93	11.9	1149	1.09	13.8	1369	1.46	17.8	-	-	-
	3250	1933	838	0.77	9.1	937	0.90	10.6	1049	1.06	12.5	1164	1.23	14.3	-	-	-	-	-	-
RDB - 10-2 MAX. HP - 1-1/2 WHEEL DIA 11.44" TIP SPEED 2.99 x RPM SHAFT 3/4"	1850	892	522	0.16	3.9	711	0.28	7.1	867	0.43	11	995	0.58	14.2	1205	0.89	18.9	1381	1.22	23
	2050	989	534	0.19	4.2	714	0.32	7.2	869	0.47	11.1	999	0.64	14.4	1212	0.97	19.2	1389	1.33	24
	2250	1085	546	0.22	4.6	721	0.36	7.5	871	0.52	11.2	1002	0.70	14.5	1218	1.06	19.5	1396	1.43	24
	2450	1182	560	0.26	5.1	730	0.41	7.9	873	0.56	11.3	1004	0.75	14.6	1222	1.15	19.7	-	-	-
	2650	1278	578	0.31	5.8	740	0.46	8.4	879	0.62	11.7	1006	0.81	14.7	1226	1.24	19.9	-	-	-
	2850	1374	599	0.37	6.5	752	0.52	8.9	887	0.69	12.1	1009	0.88	14.8	1229	1.32	20	-	-	-
	3050	1471	622	0.44	7.3	763	0.59	9.5	896	0.77	12.6	1015	0.96	15.1	1230	1.41	20	-	-	-
	3250	1567	647	0.51	8.2	776	0.66	10.2	907	0.85	13.2	1023	1.05	15.4	1232	1.49	20	-	-	-
	3450	1664	673	0.60	9.2	791	0.74	10.9	919	0.94	13.8	1032	1.14	15.8	-	-	-	-	-	-
	3650	1760	699	0.69	10.3	808	0.83	11.9	930	1.04	14.3	1042	1.25	16.2	-	-	-	-	-	-
RDB - 12-2 MAX. HP - 1-1/2 WHEEL DIA 12.50" TIP SPEED 3.27 x RPM SHAFT 3/4"	2450	840	472	0.20	4.3	639	0.36	7.2	782	0.54	11.1	902	0.74	15	1097	1.15	19.6	-	-	-
	2850	977	490	0.27	4.8	648	0.43	7.6	782	0.62	11.1	903	0.84	15.1	1103	1.30	19.9	-	-	-
	3250	1114	513	0.34	5.5	660	0.52	8.1	787	0.72	11.4	902	0.94	15	1106	1.45	20	-	-	-
	3650	1252	537	0.43	6.2	674	0.63	8.7	798	0.84	12.1	907	1.07	15.3	-	-	-	-	-	-
	4050	1389	563	0.54	7.1	693	0.76	9.5	810	0.98	12.7	917	1.23	15.7	-	-	-	-	-	-
	4450	1526	591	0.67	8	717	0.91	10.6	825	1.15	13.4	929	1.41	16.2	-	-	-	-	-	-
	4850	1663	622	0.82	9.2	741	1.08	11.7	843	1.33	14.2	-	-	-	-	-	-	-	-	-
	5250	1800	655	0.99	10.7	765	1.27	12.9	-	-	-	-	-	-	-	-	-	-	-	-
	5650	1938	689	1.20	12	791	1.49	14	-	-	-	-	-	-	-	-	-	-	-	-
	6050	2075	725	1.43	13.5	-	-	-	-	-	-	-	-	-	-	-	-	-	-	-
RDB - 15-2 MAX. HP - 3 WHEEL DIA 15.25" TIP SPEED 3.99 x RPM SHAFT 1"	3950	962	375	0.39	3.6	510	0.69	6.2	622	0.93	9.2	711	1.24	11.9	856	1.90	15.6	977	258.00	18.7
	4350	1059	376	0.44	3.7	512	0.80	6.3	624	1.06	9.4	716	1.37	12.3	863	2.07	16.1	985	2.81	19.3
	4750	1157	380	0.49	3.9	517	0.91	6.6	625	1.23	9.4	719	1.51	12.6	869	2.24	16.6	-	-	-
	5150	1254	388	0.57	4.4	524	1.01	7.1	626	1.40	9.5	721	1.70	12.8	874	2.42	16.9	-	-	-
	5550	1351	399	0.67	4.9	529	1.10	7.4	629	1.57	9.7	722	1.93	12.8	879	2.62	17.3	-	-	-
	5950	1449	512	0.78	5.4	531	1.19	7.6	636	1.72	10.3	723	2.16	12.9	882	2.85	17.6	-	-	-
	6350	1303	393	0.62	4.7	528	1.06	7.4	627	1.49	9.6	722	1.81	12.8	877	2.52	17.2	-	-	-
	6750	1644	443	1.06	6.7	538	1.41	8.1	648	2.01	11.3	732	2.59	13.7	-	-	-	-	-	-
	7150	1741	461	1.23	7.4	546	1.57	8.7	650	2.14	11.5	739	2.79	14.3	-	-	-	-	-	-
	7550	1839	481	1.42	8.3	555	1.75	9.3	652	2.27	11.6	746	2.99	14.8	-	-	-	-	-	-
7950	1936	501	1.63	9.3	567	1.95	9.9	655	2.43	11.9	-	-	-	-	-	-	-	-	-	
8350	2033	521	1.87	10.3	580	2.17	10.6	660	2.63	12.3	-	-	-	-	-	-	-	-	-	
8750	2131	542	2.13	11.5	594	2.42	11.5	668	2.87	13	-	-	-	-	-	-	-	-	-	

OPTIONAL FILTER SECTION

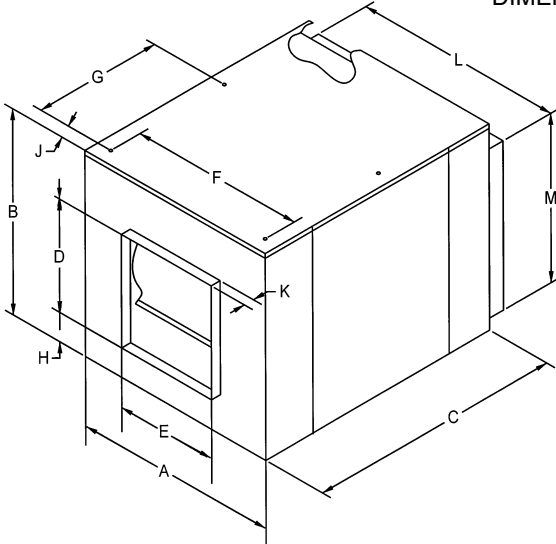
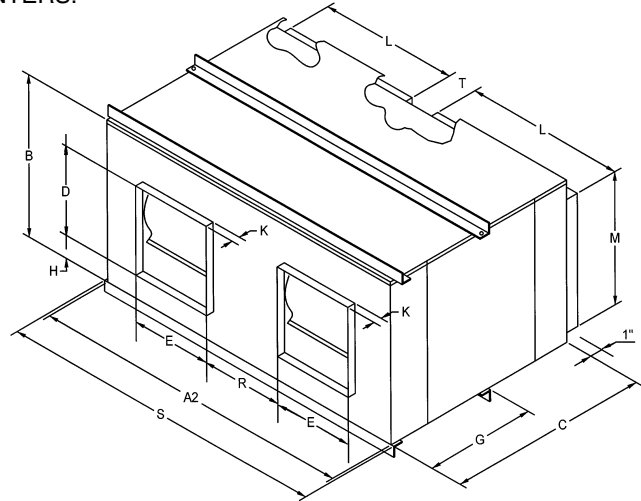
Filter sections are available when required. Filter sections are insulated and supplied with 1" thick washable aluminum filters. Special filter tracks designed for both 1" or 2" size filters. Easily serviced through end access panel.

SIZE	A	B	C	D
7	17.75	16	13.5	6
9	21	19.125	16.125	7
10	22.25	20.375	18.125	8
12	27	25.125	21.125	10
15	32.5	30.625	25.125	12
18	37.0	35.25	31.5	14



MODEL RDB & RDB-2
DIMENSIONAL DATA

STEEL ANGLE RAILS, TOP AND BOTTOM WITH 5/8" MOUNTING HOLES. REFER TO "G" & "S" DIMENSION CENTERS.


MODEL RDB

MODEL RDB-2 TWIN UNITS

SIZE	A	A2	B	C	D	E	F	G	H	J	K	L	M	R	S	T	*WT RDB/RDB-2
7	18	36	15-3/8	23	8-1/4	9-3/16	14-1/2	9-5/8	1-1/4	1-1/4	7/8	15-7/8	13-3/8	8-13/16	38-1/4	2	50 / 150
9	21	42	18	23	10-1/4	11-13/16	17-1/2	11-3/4	1-3/4	1-3/4	7/8	19	16	9-3/16	44-1/4	2	60 / 170
10	22-1/4	44-1/2	20	24-3/4	11-3/8	13-1/8	18-3/4	13-3/8	1-3/4	1-3/4	7/8	20-1/4	18	9-1/8	46-3/4	2	75 / 190
12	27	54	23	27-1/2	13-7/16	15-5/8	23-1/2	16-1/8	1-3/4	1-3/4	7/8	25	21	11-3/8	56-1/4	2	190 / 380
15	33-1/2	67	28	32	15-7/8	18-5/8	28	19-1/2	1-3/4	1-3/4	7/8	30-1/2	25	14-7/8	69-1/4	3	210 / 460
18	41-1/2		34	44	19-5/8	22-5/8	35	24	1-3/4	1-3/4	1-1/8	35-3/8	31-5/8				575

WARRANTIES

The Romla Ventilator Company warrants this equipment to be free from defects in material and workmanship under normal use and service for period of one year from date of delivery. During the warranty period if any parts prove to be defective, they will be repaired or replaced free of charge at factory option: If upon receipt of written authorization they are delivered prepaid to the factory. This guarantee does not cover any charge caused by neglect of lubrication, accident or overload, improper installation, nor does it cover the cost of repairs made or attempted outside the factory, without authorization from Romla ventilation Company. Electric motors are guaranteed only to the extent of the motor manufacturer's warranty. Romla Ventilator Company is not responsible for the cost of removal of the defective product or part, or the installation of the repaired or replaced products or part. Correction of any verified defects by repair or replacement shall constitute fulfillment of this warranty.



WARNING! DO NOT USE IN HAZARDOUS ENVIRONMENTS where fans electrical system could provide ignition to combustible or flammable materials, unless unit is specifically built for hazardous environments.



ROMLA VENTILATOR COMPANY
 9668 Heinrich Hertz Drive, Unit D
 San Diego, California 92154
 619/946-1224 • Fax 619/946-1227 • www.romlair.com

DISTRIBUTED BY
