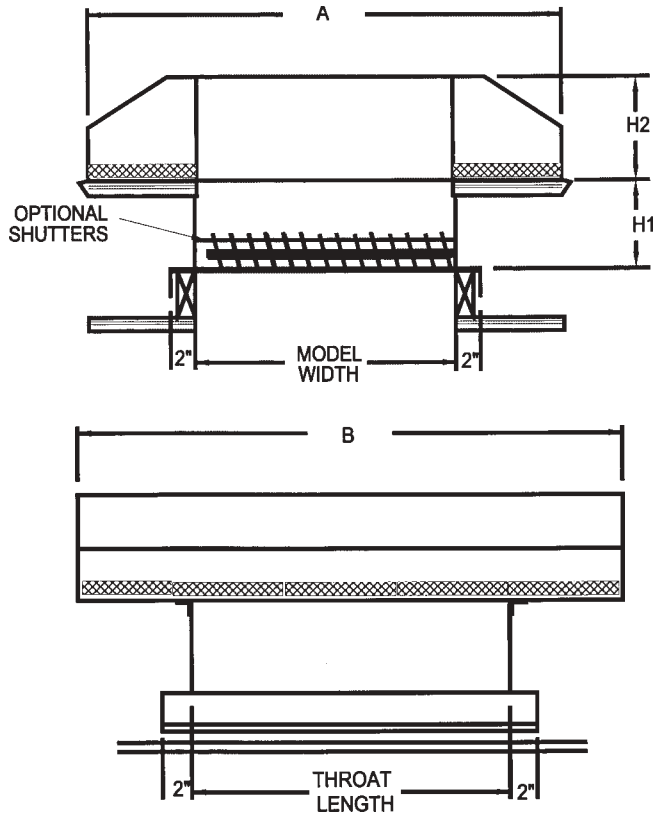




**Model STF**  
Gravity Filtered Intake

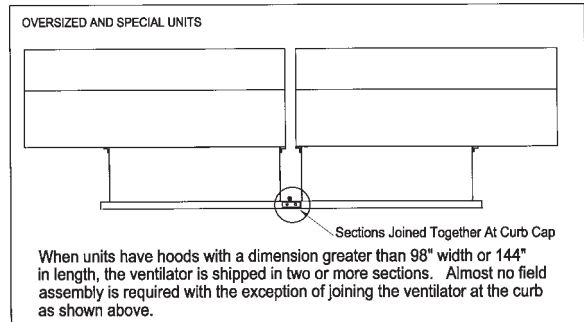
- Low silhouette design preferred by architects.
- Available with 1" or 2" washable aluminum filters.
- Heavy gauge galvanized construction (aluminum optional)
- Hood metal is stressed and pitched for proper drainage and to prevent oil canning.
- Vertical base seams are continuously welded on larger units-spot welded seams on smaller sizes.
- Filters are easily removable without removing hood.
- Integral curb cap.
- Mill finish

**ROMLA VENTILATOR CO.**  
9668 Heinrich Hertz Drive • Unit D  
San Diego, CA 92154  
Ph: (619) 946-1224 Fax: (619) 946-1227



**Options & Accessories**

- CF8 -Type CF roof curb 8" high
- SF8 -Type SF roof cur 8" high
- ACC -Anti-condensate coating
- ABS -Aluminum birdscreen
- ISC -Insect screen
- ADE -Air dry enamel
- ESC -Extra strenght constr. (100 mph)
- RBDS -Backdraft damper (supply only)



**SPECIFICATIONS**

QTY	MODEL PLUS THROAT WIDTH X LENGTH	HOOD SIZE A X B	HEIGHT H1 PLUS H2	SIZE FILTERS	CONSTRUCTION		GAUGES		ACCESSORIES
					GALV	ALUM	BASE	HOOD	

<p><b>PROJECT:</b> <b>LOCATION:</b> <b>SUBMITTED BY:</b> <b>DATE:</b></p>	<p><b>CONTRACTOR:</b> <b>ENGINEER:</b> <b>APPROVED BY:</b> <b>DATE:</b></p>
---	---