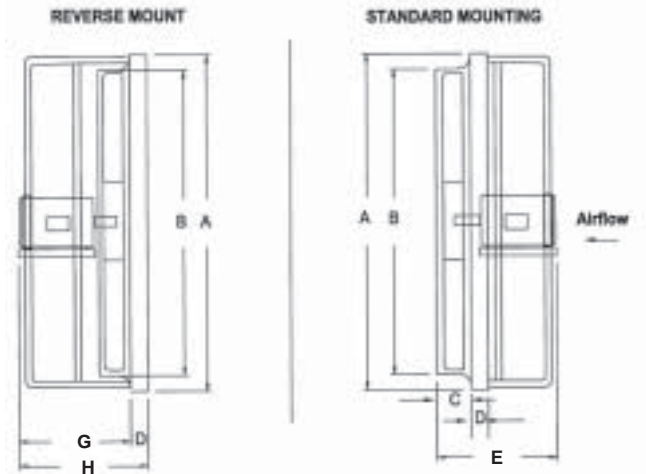


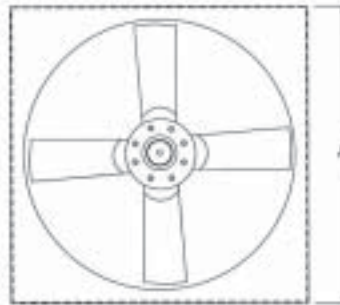


Model P
Direct Drive Panel Fan

- Direct Drive Panel Fan
- Cast Aluminum Airfoil Propeller
- Deep Spun High Efficiency Venturi For Superior Strength and Performance
- All Welded Construction
- Ball Bearing Motor for Years of Trouble Free Operation
- All Angle Operation - Vertically, Horizontally, Any Intermediate Angle



ROMLA VENTILATOR COMPANY
9668 Heinrich Hertz Drive • Unit D
San Diego, California 92154
Ph (619) 946-1224 Fax (619) 946-1227



Abbreviation for Accessories

- WS** -Wall shutter
MWS -Motorized wall shutter 1/115v
VC -Motorized center pivot damper (supply) 1/115v
RG -Motor side guard
FG -Front safety guard
WH -Wall housing
WHG -Wall housing with guard
WC -Wall collar
EC -Epoxy coating

SIZE	DIMENSIONS-INCHES							AVG WT
	A	B	C	D	E	G	H	
24	30	25	5	2-3/4	15-5/8	16-1/8	18-7/8	110
30	36	31	5	2-3/4	15-3/4	16-1/4	19	150
36	42	37	5	2-3/4	21-1/4	19	21-3/4	205
42	48	43	5	2-3/4	21-3/4	20-1/8	22-7/8	270
48	54	49	5	2-3/4	26-3/4	22-5/8	25-3/8	305
54	60	55	5-1/2	2-3/4	26	25-7/8	28-5/8	400
60	66	61	5-1/2	2-3/4	26-1/2	25-7/8	28-5/8	440

SPECIFICATIONS

MARK	MODEL	NO REQ'D	HP	SP	FAN RPM	VOLTS	HZ	TYPE	CFM	ACCESSORIES

<p>PROJECT: LOCATION: SUBMITTED BY: DATE:</p>	<p>CONTRACTOR: ENGINEER: APPROVED BY: DATE:</p>
--	--