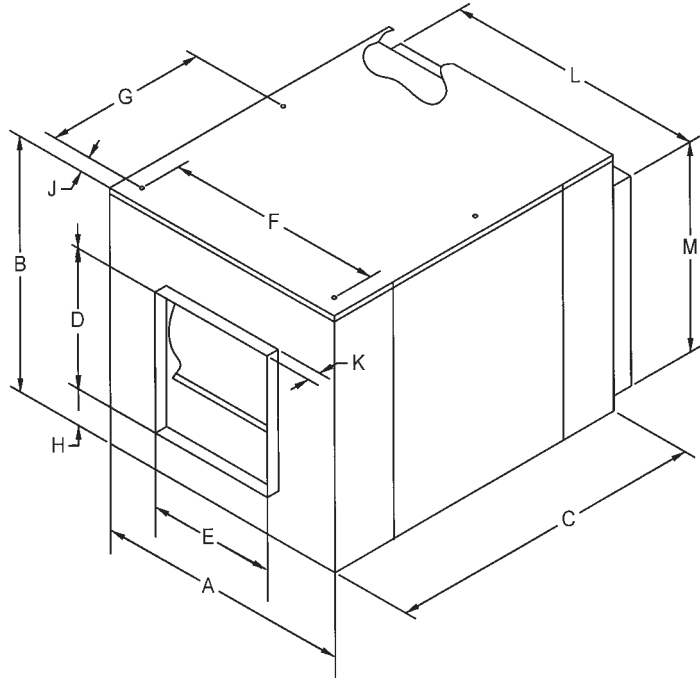




**Model RDB**  
**Inline Duct Blower**

- All purpose inline duct blower designed for indoor HVAC applications.
- Forward curved wheel provides quiet, low rpm operation.
- Housing constructed of galvanized steel-mill finish.
- Heavy duty, self aligning, grease lubricated ball bearings suitable for -16° to +250° F.
- Access panels for convenient motor mounting on either side.
- Shaft flats are standard on both ends for CW or CCW rotation.
- Tested and rated in accordance with AMCA publication 211.



**ROMLA VENTILATOR CO.**  
**9668 Heinrich Hertz Drive • Unit D**  
**San Diego, California 92154**  
**Ph (619) 946-1224 Fax (619) 946-1227**

**Available Options:**

- FS** -Filter section w/1" framed aluminum washable filters  
**INS** -1/2" Fiberglass insulation to minimize condensation

MODEL	A	B	C	D	E	F	G	H	K	L	M	WT
RDB-7	18	15.375	23	8.25	9.1875	14.50	9.625	1.25	1	15.875	13.375	50
RDB-9	21	18	23	10.25	11.812	17.50	11.75	1.25	1	19	16	60
RDB-10	22.25	20	24.75	11.375	13.125	18.75	13.375	1.25	1	20.25	18	75
RDB-12	27	23	27.50	13.437	15.625	23.50	16.125	1.25	1	25	21	190
RDB-15	33.50	28	32	15.875	18.625	28	19.50	2.625	1	30.5	25	210
RDB-18	41.50	34	44	19.625	22.625	35	24	2.75	1	35.375	31.625	300

**SPECIFICATIONS**

QTY.	MODEL	TAG	CFM	SP	RPM	OV	HP	VOLTS	PH	HZ	TYPE	OPTIONS

<p><b>PROJECT:</b>  <b>LOCATION:</b>  <b>SUBMITTED BY:</b>  <b>DATE:</b></p>	<p><b>CONTRACTOR:</b>  <b>ENGINEER:</b>  <b>APPROVED BY:</b>  <b>DATE:</b></p>
--	--