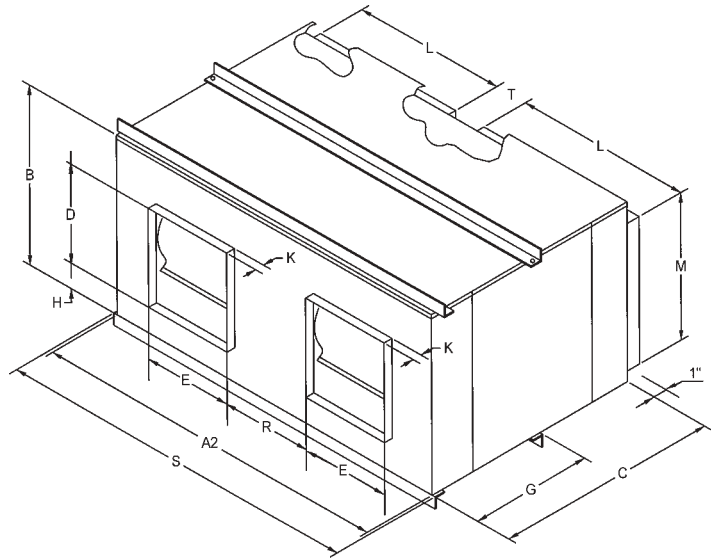




Model RDB-2
Twin Inline Duct Blower

- All purpose inline duct blower designed for indoor HVAC applications.
- Forward curved wheel provides quiet, low rpm operation.
- Housing constructed of galvanized steel-mill finish.
- Heavy duty, self aligning, grease lubricated ball bearings suitable for -16° to +250° F.
- Access panels for convenient motor mounting on either side.
- Common shaft for balanced air supply by each blower.
- Shaft flats are standard on both ends for CW or CCW rotation.
- Tested and rated in accordance with AMCA publication 211.

STEEL ANGLE RAILS, TOP AND BOTTOM WITH 5/8" MOUNTING HOLES. REFER TO "G" & "S" DIMENSION CENTERS



ROMLA VENTILATOR CO.
9668 Heinrich Hertz Drive • Unit D
San Diego, California 92154
Ph (619) 946-1224 Fax (619) 946-1227

Available Options:

- FS** -Filter section w/1" framed aluminum washable filters
INS -1/2" Fiberglass insulation to minimize condensation

MODEL	A2	B	C	D	E	H	K	L	M	WT
RDB-2-7	36	15.375	23	8.25	9.1875	1.25	1	15.875	13.375	150
RDB-2-9	42	18	23	10.25	11.812	1.25	1	19	16	170
RDB-2-10	44.50	20	24.75	11.375	13.125	1.25	1	20.25	18	190
RDB-2-12	54	23	27.50	13.437	15.625	1.25	1	25	21	380
RDB-2-15	67	28	32	15.875	18.625	2.625	1	30.5	25	460

SPECIFICATIONS

QTY.	MODEL	TAG	CFM	SP	RPM	OV	HP	VOLTS	PH	HZ	TYPE	OPTIONS

<p>PROJECT: LOCATION: SUBMITTED BY: DATE:</p>	<p>CONTRACTOR: ENGINEER: APPROVED BY: DATE:</p>
---	---

Romla maintains a policy of continuous product improvement. Specifications and dimensions are subject to change without notice.